

Aerohive AP121 - Installing OpenWRT

After more than 10 years in use and licensing issues we decided to replace our WiFi installation consisting of about 40 Aerohive AP121 newer models.

Because all APs are still able to work, we thought about the future use of our devices. As we already use a lot of open source software, we thought it would be nice if also our APs are running with Linux and this is actually possible with [OpenWRT](#)!

This page was build from two main sources:

- openwrt.org - [Aerohive AP121/HiveAP 121](#)
- github.com - [NWSpitfire - AP121 OpenWRT Install](#)

It's more or less a summary and an experience report from our side!

The AP121 Hardware



Model	AP121
CPU	Atheros AR9344
CPU MHz	560
Flash MB	1, 128 NAND
RAM MB	128
WLAN Hardware	Atheros AR9344, Atheros AR9382
WLAN 2.4GHz	b/g/n
WLAN 5.0GHz	a/n
Ethernet 100Mbit ports	-

Ethernet 1Gbit ports	1
RJ45 console ports	1
USB ports	1

Concerning hardware the OpenWRT wiki says:

The Aerohive AP121 or HiveAP 121 (the former designation used in company marketing, the latter printed on the device label) is a dual-band 2x2 MIMO 802.11a/n (5GHz) and 802.11b/g/n (2.4GHz) "enterprise grade" access point with a single Gigabit Ethernet port, powered via 802.3af PoE or a standard 12V 1.1A power adapter. It was produced by Aerohive Networks (which is now part of Extreme Networks) until 2017 when it was superseded by the Aerohive AP122.

*Do not confuse this device with the unrelated and completely different, yet similarly named ALFA Network AP121 which is maintained in the ath79/generic subtarget and a bit confusingly only carries ap121 in OpenWrt filenames. **Files for the Aerohive AP121 can be found in the ath79/nand subtarget and contain the string hiveap-121.***

Required Hardware

- a working Aerohive AP121
- Cisco Console Cable (RJ45 - DB9 Serial - NOTE: As most PC's don't have RS232 DB9 connectors anymore, we used a RJ45 - USB [via FTDI232RL+ZT213LEEA chips] Console cable.)
- 802.3af Gigabit PoE adapter (for powering the AP)
- Alternatively Centre Positive Barrel Jack 12v 2A DC Power Supply (The AP121 is Center Positive! I could not find this information anywhere, all of the "official" DC 12v Power Supplies for Aerohive had the Jack wiring label scratched off...) (The AP121 is rated for 1.1A - according to whats printed on the case, but I used 1A & 2A supply with no issues)
- RJ45 Network Cable
- PC/Laptop with USB and RJ45 Network Port (Cannot be done over Wi-Fi, ie netbooks)

Flashing OpenWRT on AP121

We do not take any warranty for this guide! After flashing the firmware there is no way back! You won't be able to use your AP anymore for a Aerohive/Extreme HiveManager!

Firmware check

Firstly confirm that the AP you want to flash OpenWRT on has one of the following firmware versions:

- v1.0.0.33
- v1.0.0.43 (supplied with HiveOS 6.2r1)
- v1.0.0.4f (supplied with HiveOS 6.5r4)
- v1.0.0.50 (supplied with HiveOS 6.5r3)
- v1.0.0.52 (supplied with HiveOS 6.5r8b)

You can either do this via the serial console which is also required later, or more easy within your old HiveManager.

Bootloader versions v1.0.0.25 and lower have been reported to fail!

Downloads

This tutorial was tested on a Windows 11 machine and a PoE-powered AP121.

To host the image for the AP we going to use a TFTP-Server: you can either use Pumpkin TFTP, TFTP64 or SolarWind's TFTP-Server.

- [klever.net - Pumpkin TFTP](#) (recommended)
- [github.io - TFTP64](#)
- [solarwinds.com - Free TFTP-Server](#)

We also need a serial console terminal: here PuTTY:

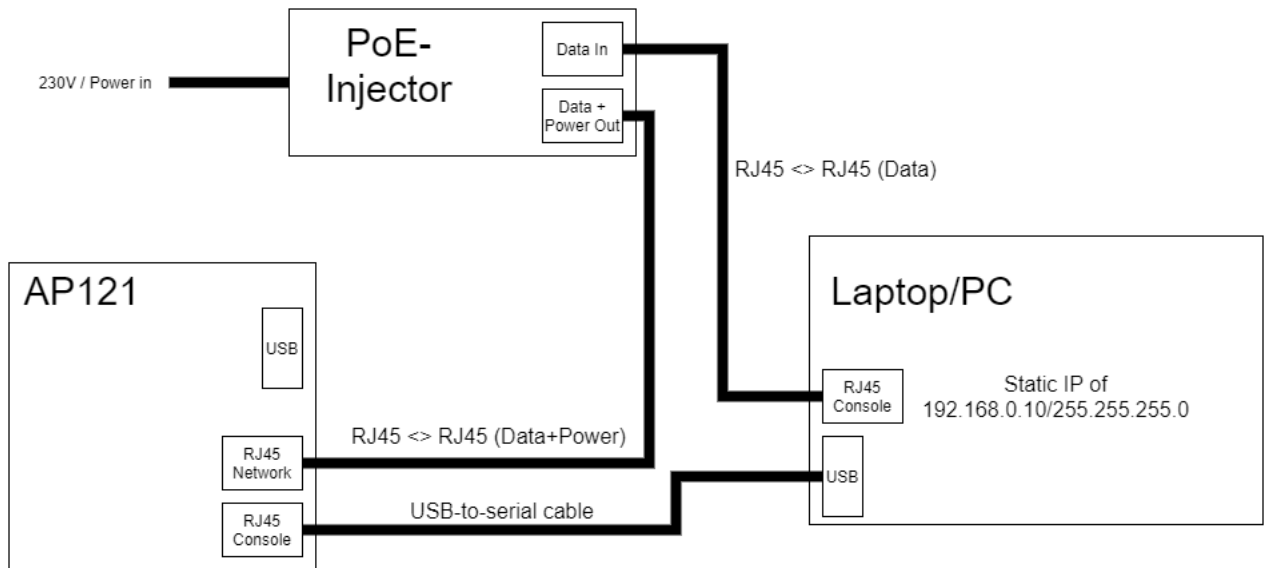
- [putty.org](#)

And the OpenWRT image for the AP: Therefore open this URL: downloads.openwrt.org/releases/ select the release to install and then navigate to <version>/targets/ath79/nand. There should be an image named `aerohive_hiveap-121-squashfs-factory.bin`. Use the factory-image for firsttime install, not the sysupgrade-image.

Setup

1. Set `192.168.1.10` with netmask `255.255.255.0` as static ip for the RJ45-interface of the PC you want to use.
2. Install PuTTY and the TFTP-Server. Configure the TFTP-Server to host the OpenWRT-image. In case you used the PumpKIN-TFTP-Server: After installing, the TFTP-Server will be started by starting the following executeable: `C:\Program Files\Klever\Nothings\PumpKIN.exe`. Select Options and set the root path to the directory where the OpenWRT-image was saved. It's recommended to rename the image file to something more simple like `openwrt.bin` because this makes it easier to type the name into the console later.
3. Then connect your AP with a Laptop or any PC as following but **do not power on the PoE-injector/power supply** yet:

[Show/Hide](#)



4. Open the Device Manager and select Ports, there you should see an interface like COM1 or COM3. Select this interface in PuTTY as it is your serial cable to the AP.
5. In PuTTY select Serial, type in the Serial line (e.g. COM1) and set the speed/baudrate to 9600. Then open the connection.
6. Finally power on the injector.
7. You should now see the boot process of the AP. Interrupt it by hitting any key. When getting asked for a password either try AhNf?d@ta06 or administrator. Here to copy:

```
AhNf?d@ta06
```

8. Then verify the firmware version again with, if it prints something higher like 1.0.0.25 everything is ok:

```
version
```

9. After that transfer the firmware file, replace <name-of-firmware-image> with openwrt.bin or the name you gave the firmware file:

```
tftpboot 0x81000000 <name-of-firmware-image>
```

10. If using PumpkinTFTP and the TFTP-client on the AP can find the image on the server, a pop-up will appear. Accept the transfer and the firmware will be transferred.
11. Then erase the NAND-flash to make the way free for OpenWRT:

```
nand erase 0x800000 0x7400000
```

Command Breakdown: 0x800000 is the flash memory address in the Access Point.
0x7400000 is the filesize. This is important later.

12. Now write the image to the NAND:

```
nand write 0x81000000 0x800000 0x7400000
```

Command Breakdown: 0x8100000 is the memory address that the OpenWRT image is stored in. 0x800000 is the flash memory address for the Access Point. 0x7400000 is the filesize.

13. If both commands ran successfully reboot by typing:

```
reset
```

During first reboot, if the AP was booting via its secondary backup flash chip located at 0xd00000 then the boot may fail with a Bad Magic number error. Do not panic, allow the boot process to fail 3 times, after which the AP will then default to booting from 0x800000 and should boot OpenWRT Normally.

14. During boot watch for the orange light to turn flashing white. This means the boot process is occurring, monitor the console for errors. If the LED turns solid white then the AP has successfully booted - this may take 90s or more.
15. Finally you can navigate to 192.168.1.1 it should load the LuCI-webinterface of OpenWRT. The default password for OpenWRT is passwd.

Initial Setup as AP

1. Under Network > Wireless you can change the WiFi/Network config.
2. To set the AP to DHCP on the ethernet port navigate to Network > Interfaces, edit br-lan and change the protocol to DHCP. Additionally disable the firewall by switching to the Firewall-tab and under Create/Assign firewall zone select unspecified. Then press Save and Apply

For troubleshooting and more information check the OpenWRT wiki: openwrt.org - AP121 or visit github.com - NWSpitfire - AP121 OpenWRT Install from which some parts of this tutorial are sourced.

Further Thoughts

It might also be possible to flash OpenWRT on AP122, but we haven't tested this yet:

github.com - Aerohacking - AP122

Also have a look at other tutorials concerning Aerohive and OpenWRT:

- [Dynamic VLANs on Aerohive AP121 with OpenWRT](#)
- [Fast roaming on AP121 with OpenWRT](#)
- [Setting up AP121 with OpenWRT as enterprise WPA AP](#)
- [Aerohive AP121 - Installing OpenWRT](#)

Last update:

2024/03/02 tutorials:aerohive:openwrt-on-ap121 <http://fixes.brecht-schule.hamburg/tutorials/aerohive/openwrt-on-ap121?rev=1709412111>
21:41

Sources used:

- openwrt.org - *Aerohive AP121/HiveAP 121*
- github.com - *NWSpitfire - AP121 OpenWRT Install*

From:

<http://fixes.brecht-schule.hamburg/> - **Fixes** | **Public BIT Wiki**

Permanent link:

<http://fixes.brecht-schule.hamburg/tutorials/aerohive/openwrt-on-ap121?rev=1709412111>

Last update: **2024/03/02 21:41**

